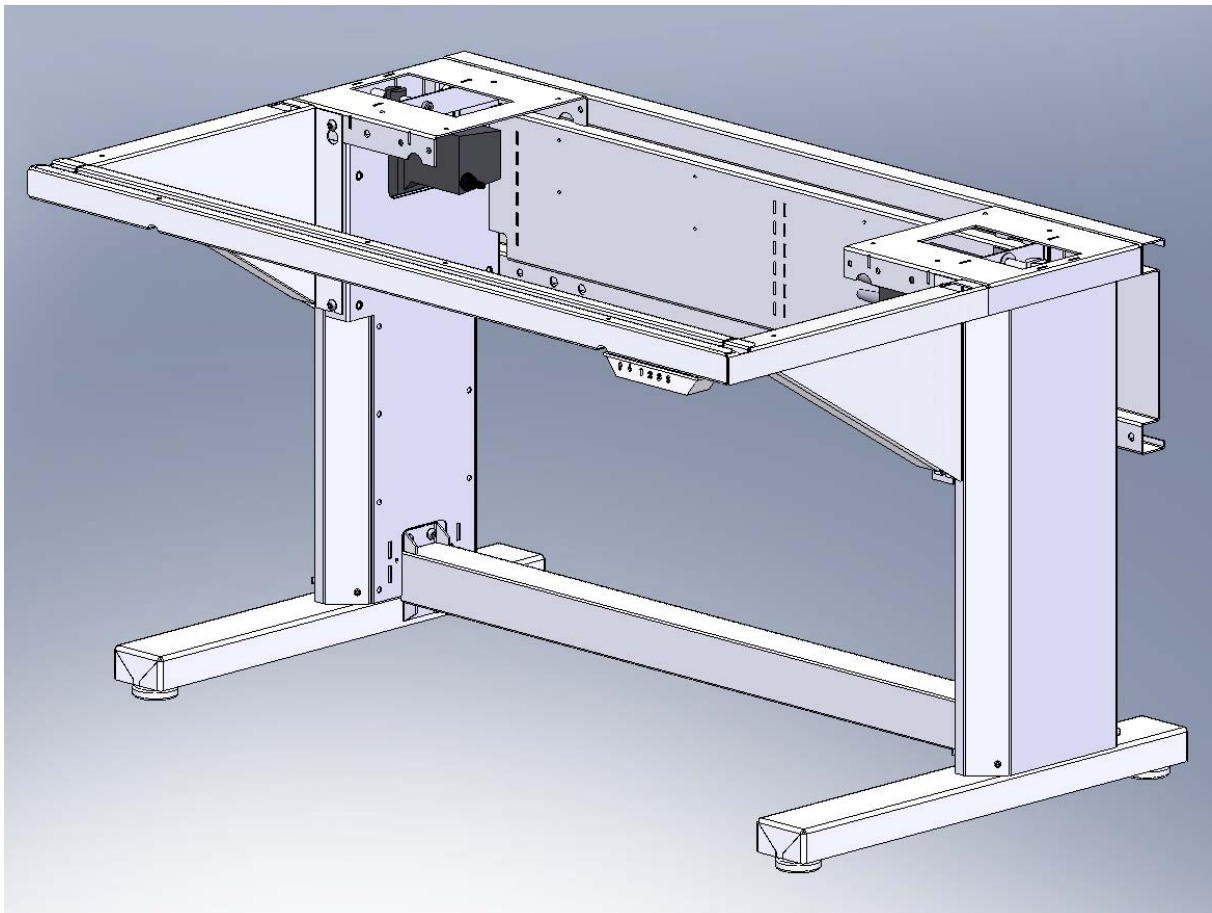


Align® Adjustable Height Workbench

Installation Instructions

Motorized Base, Hand-Crank Base, Slide Leg Base



IMPORTANT SAFETY INSTRUCTIONS



WARNING – When using electric appliances, basic precautions should always be followed, including the following:

- Read all the instructions before using the appliance.
- To reduce the risk of injury, close supervision is necessary when an appliance is used near children.
- Do not contact or obstruct any moving parts.
- Only use attachments recommended or sold by the manufacturer.
- Do not use outdoors.
- To disconnect remove plug from outlet.
- Do not unplug by pulling on cord. To unplug, grasp the plug, not the cord.
- Unplug from outlet before servicing cleaning or moving.
- Do not operate the appliance with a damaged cord, plug or control box, or after the appliance malfunctions.
- This appliance is provided with double insulation and has no serviceable parts. See additional information for Double Insulated Appliances below.

SERVICING OF DOUBLE-INSULATED APPLIANCES

In a double-insulated appliance, two systems of insulation are provided instead of grounding. No grounding means is provided on a double-insulated appliance, nor should a means for grounding be added to the appliance. Servicing of a double-insulated appliance requires extreme care and knowledge of the system, and should be done only by qualified service personnel. Replacement parts for a double-insulated appliance must be identical to those parts in the appliance.



CAUTION:

Make sure benches are positioned with adequate clearance to adjacent objects before operating.

Tools Required:

5/32 Hex Key

3/16 Hex Key

9/16 Opened-end Wrench – Glides

7/16 Opened-end Wrench – Casters

#2 Phillips head Screwdriver

Small to medium Hammer or Mallet

Safety Glasses

Electric/Cordless Screw Gun with #2 Phillips Head Bit

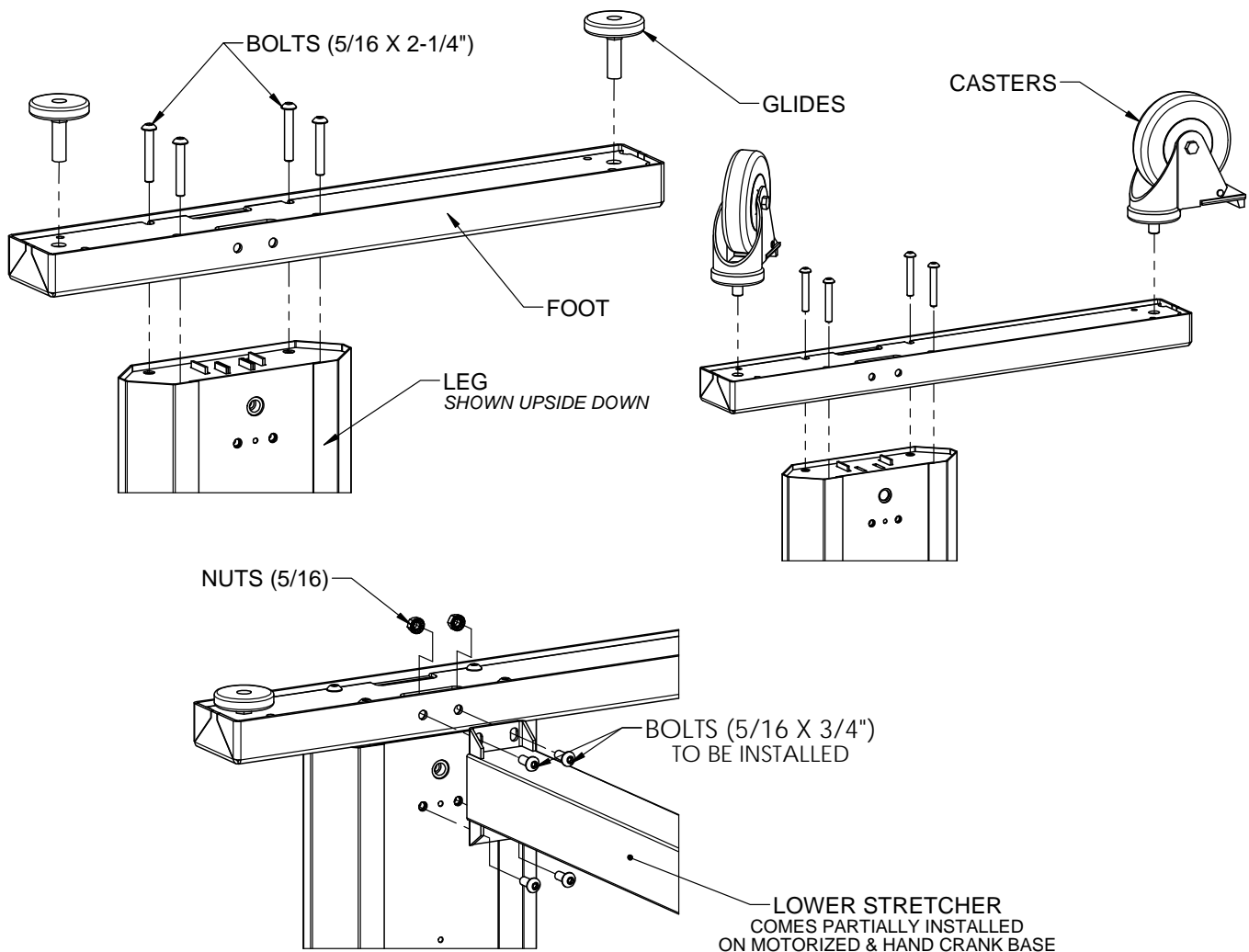
SAVE THESE INSTRUCTIONS

Glide Feet Assembly

All benches

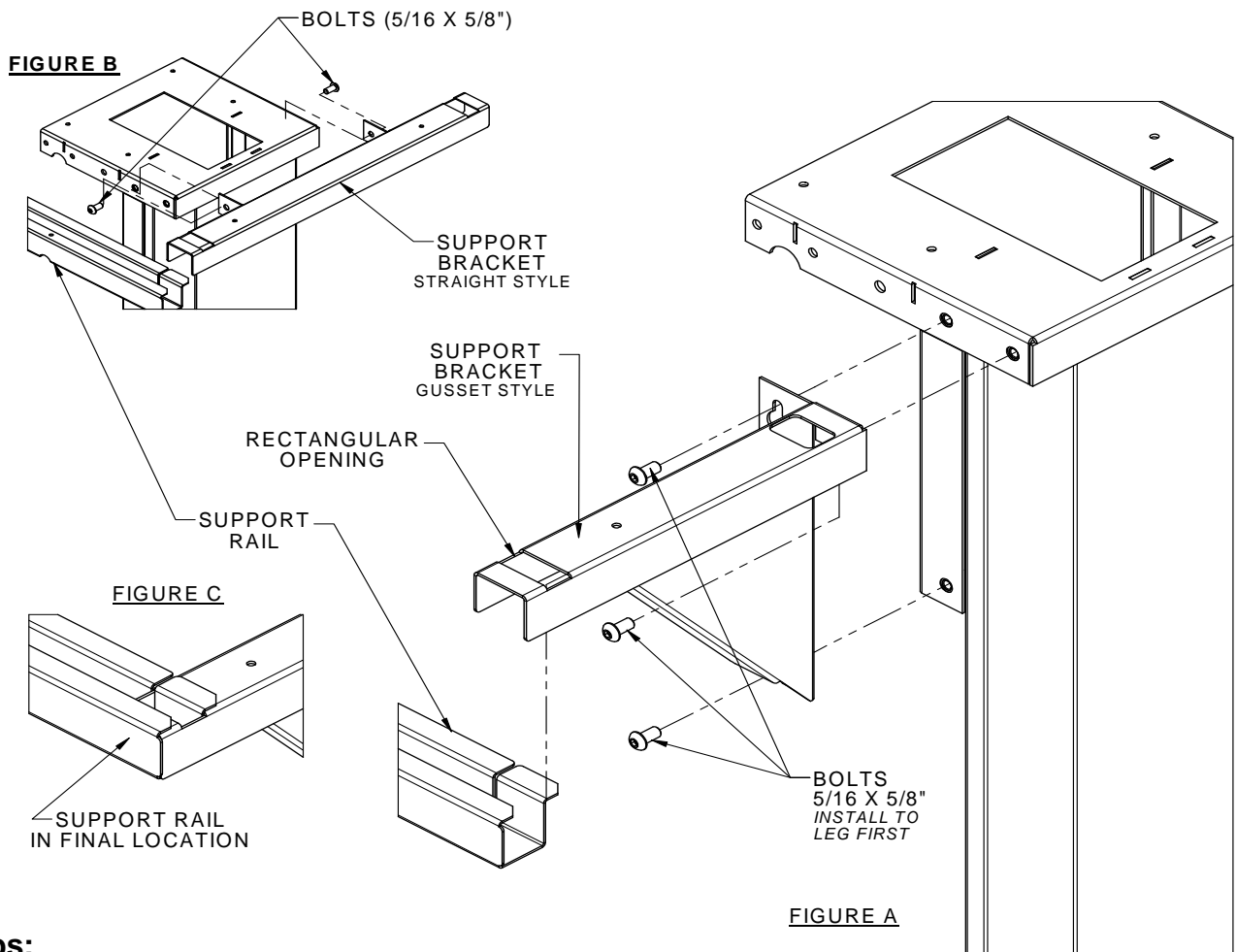
Steps:

- a) Loosen the bolts that hold the Lower Stretcher to the side of the Legs.
Lower Stretchers are not included with Slide Leg benches.
- b) Loosely attach Foot to Leg
Use (4) 5/16 x 2-1/4 long Hex drive bolts
If rear justified be sure longer end faces the front of the bench
- c) Thread leveling Glides or Casters fully into Foot as shown.
Be sure the casters bottom out on foot.
- d) Attach the Foot to the Lower Stretcher as shown
Use (2) 5/16 Hex drive bolts and (2) nuts
- e) Repeat steps (a) through (c) for other Leg then tighten all hardware, including all Lower Stretcher hardware.



Support Assembly

For Slide Legs first go to page 6 to adjust leg heights



Steps:

Gusset Style Supports (Refer to Figure A)

- a) Thread bolts into the holes shown
Use (3) 5/16 x 5/8 long Hex drive bolts
-Keep bolts from bottoming all the way by at least 1/8"
- b) Drop the Support Bracket slots behind the heads of the 3 bolts
Set/Push down into place & tighten all bolts. Repeat on opposite side or as needed

Straight Style Supports (Refer to Figure B)

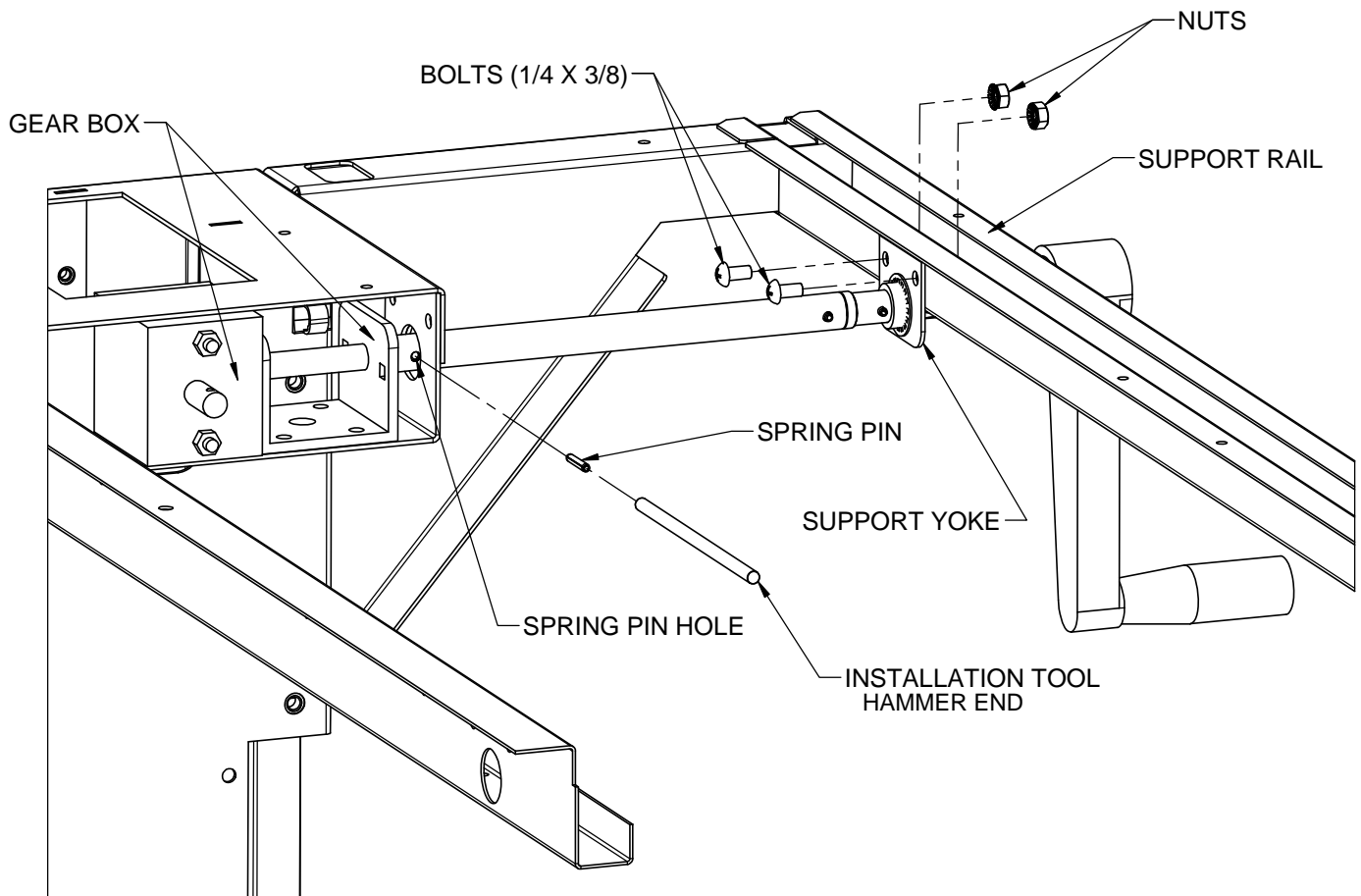
- c) Attach Support as shown
Use (2) 5/16 x 5/8 long Hex drive bolts. Repeat on opposite side as needed

Support Rail to any Support Bracket (Refer to Figures A, B & C)

- d) Insert the end tabs of the Support Rail up from below through the rectangular openings of the Support Brackets then rotate up & push into place

Note: Fastening the Support Rail to the work-surface using all the holes provided is necessary & will secure the Support Rail in position (see page 8).

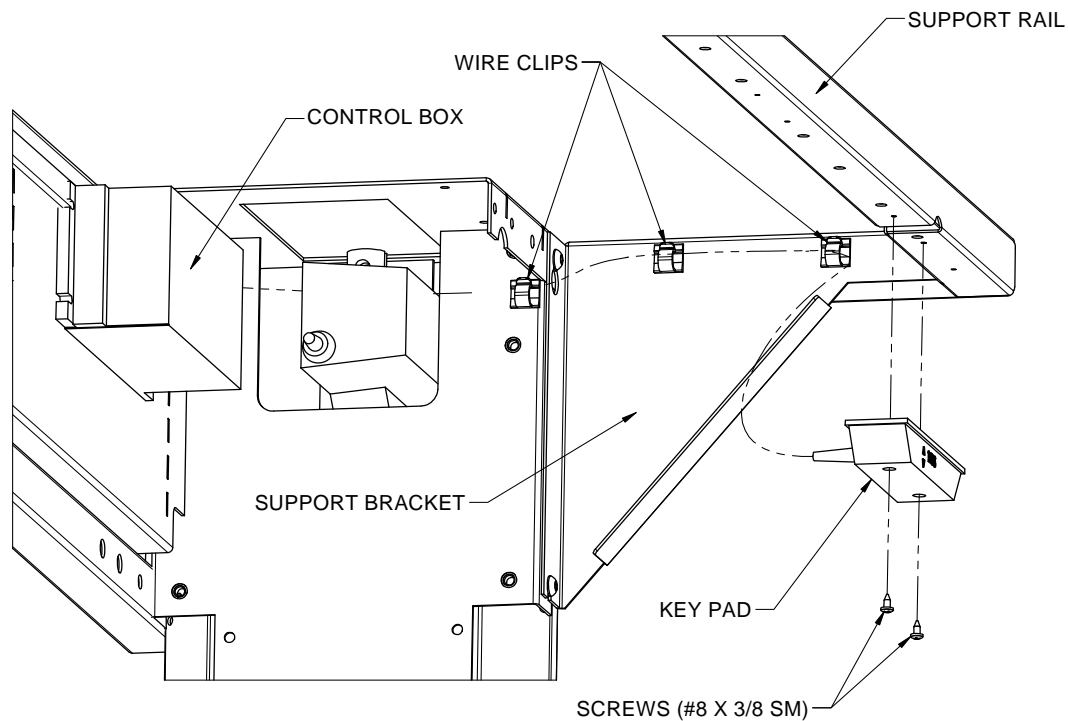
Hand-Crank Assembly



Steps: (Safety glasses should be worn when installing the Spring-pin)

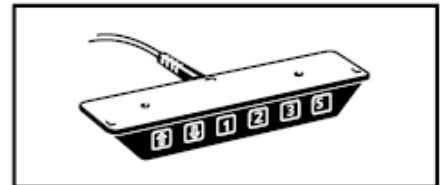
- a) Slide the open end of Hand-Crank Assembly over Gearbox Shaft as shown
- b) Attach the Support Yoke to the Support Rail
Use (2) 1/4 X 3/8 long Phillips head bolts & (2) nuts
- c) Turn the Crank Assembly to align hole with hole in the Gear Box Shaft
Insert the Spring-Pin into the Installation Tool (*provided*) and use hammer to start Spring Pin
Make sure Spring Pin is centered on shaft as the final position

Motorized Bench - Keypad Assembly & Programming



Steps:

- a) Fasten Keypad to Support Rail
Use (2) #8 x 3/8" Phillips head sheet metal screws – Do not over tighten
- b) Plug the keypad cable end into either jack on the Control Box
Loop any excess wire through the cut-out in the rear of the Support Rail
- c) Hook the (3) Wire-Clips over the keypad cable as shown
Peel off backing from Wire-Clips
Press into the position shown.



Operating Instructions

Note: Do not operate beyond 5% use (1 minute of use per 19 minutes) or components may become overheated.

Once Base is complete and plugged in;

It is possible to store up to three separate heights into memory as follows:

1. Using Keypad arrow buttons adjust bench to desired height
2. Press and release button labeled **S**, Followed by either **1**, **2**, or **3**

3. Repeat steps 1 & 2 as needed for the additional two memories or if you want to replace an existing memory setting

To recall a stored memory setting press and hold the desired memory button until the base stops at the stored height.



Warning: Do not tamper with any of the electrical control or drive components. Servicing should be performed by qualified service personnel only.

Slide Leg Base Assembly

Leg Height Adjustment

Rear Justified & Center Justified Height Adjustment

Steps:

Refer back to page 2 to install feet if not already installed, then proceed to step (a) below



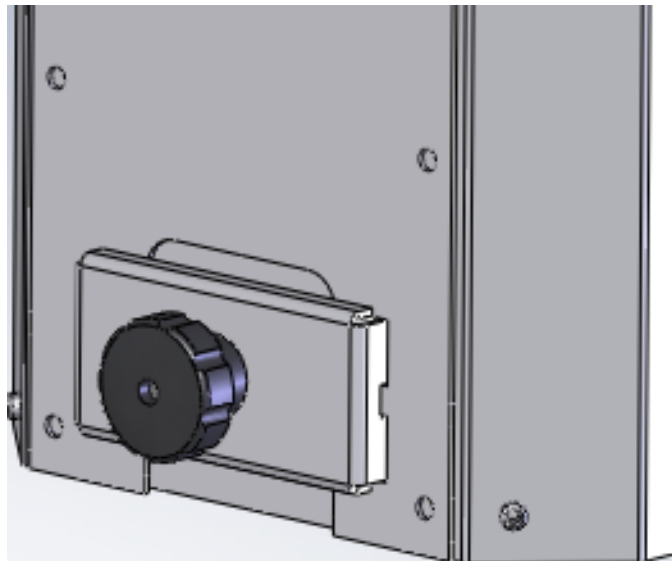
a) **Caution: Inner Column of Leg will drop down suddenly if released !**

Loosen black plastic knob on legs enough to allow the Inner leg column to move – Have a second person hold the Foot/Inner Column then adjust to desired height

Tighten the Knob so that the bracket fully engages and locks both leg columns together.

Once the Knob is tight test the engagement by pulling up on Foot to make sure both columns are locked together. Repeat step for other leg

b) Turn Base upright and refer back to page 3 to install the Support Brackets



Offset Caster Foot Assembly

Lower stretcher not shown for clarity

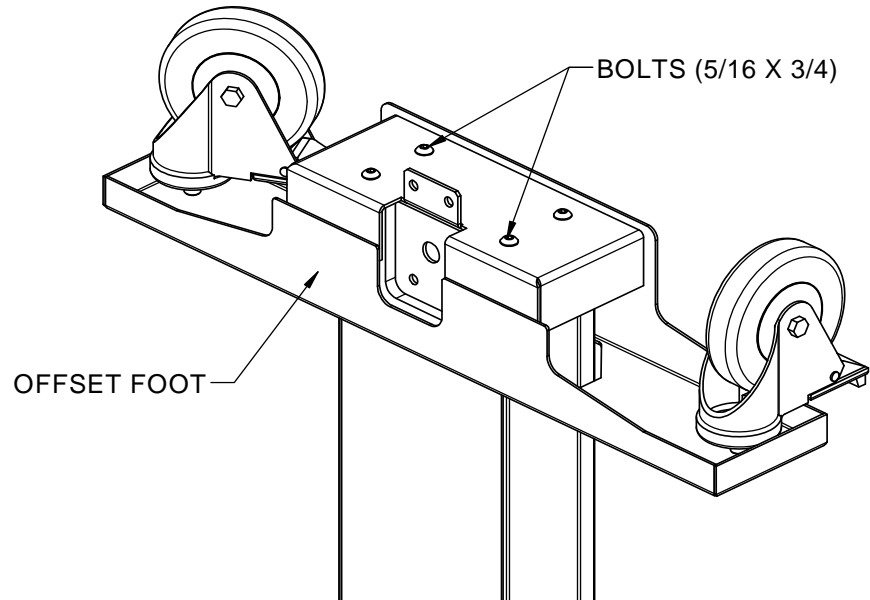
Step:

- a) Remove Lower Stretcher
Lower Stretches are not included with Slide Leg Benches
- b) Attach Offset Foot to Leg
Use (4) 5/16 x 3/4 long Hex drive bolts



Be sure to bottom out casters on foot!

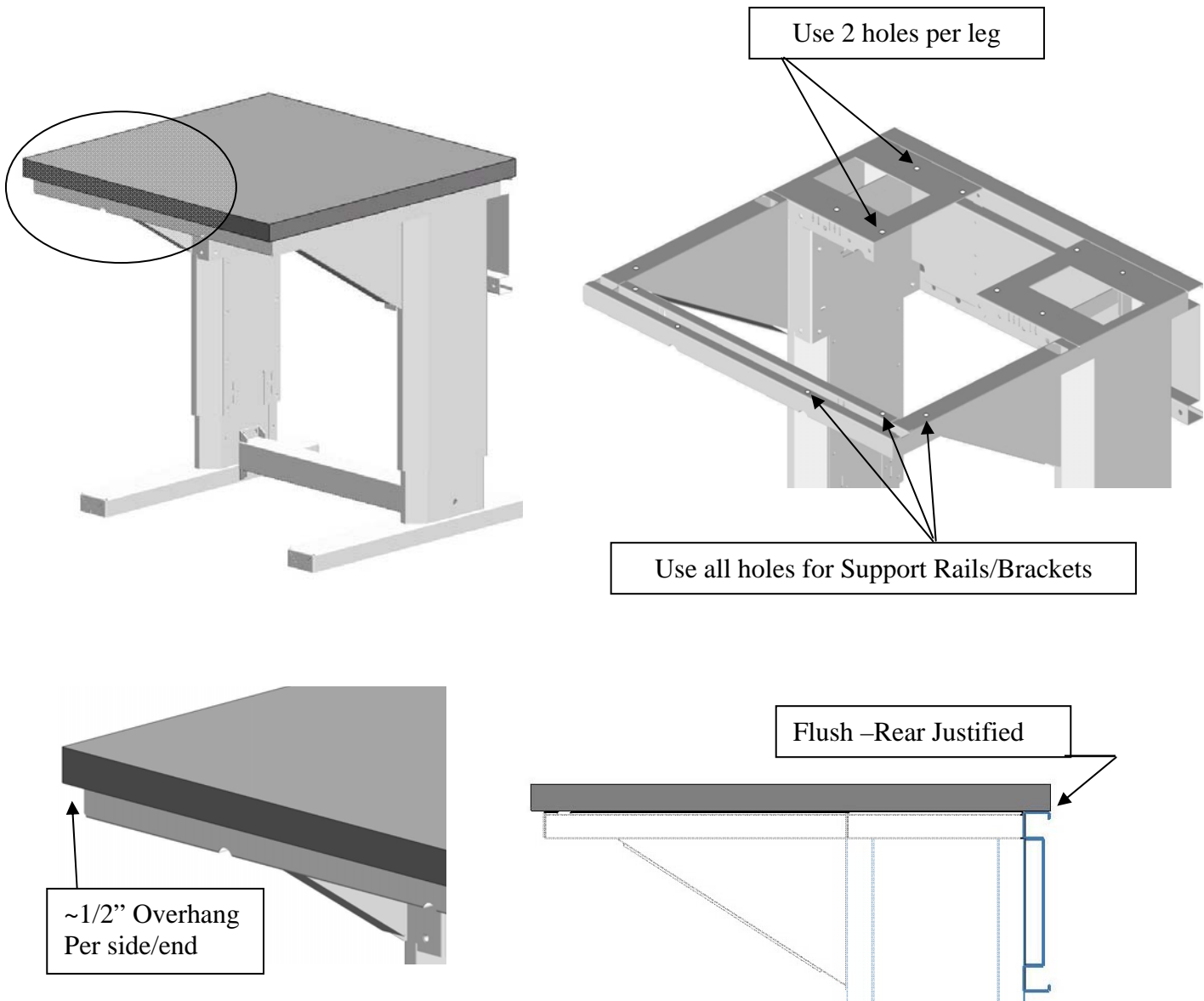
- c) Thread Casters into Foot - as shown
- d) Attach Lower Stretcher
Use (2) 5/16 x 3/4 long Hex drive bolts & (2) nuts
Refer to page (1) if needed for Lower Stretcher assembly
- e) Repeat steps (a) through (c) for other Leg then tighten all hardware



Work-Surface Assembly

Steps:

- a) Locate work-surface onto upright workbench assembly
Each side/end overhang should be equal (~1/2" standard length tops)
Rear justified bases should be flush to the back of the Rear Panel
Center justified bases should divide the overhang equally front & rear
- b) Attach Legs and Support Rails/Brackets to work-surface via holes provided
Use #10 x 3/4 long Phillips head wood screws
 - Only two screws per Leg are required
 - Use screws in all holes provided on Support Rails/Brackets
- c) Level Base as needed with foot glides once in final position or location



Motorized Bench Troubleshooting Guide

Use the following steps to troubleshoot, reset or resynchronize the control box and drive motors. Supply power must be 110-120 volt AC.

1. Unplug the power cord from wall outlet.
2. Verify the wall outlet has power with a light or any electrical appliance.
Leave work bench power cord unplugged during step 3.
3. Verify that all cables under the bench are not pinched, crushed or cut. Also check that all cable ends are plugged firmly into each other, as well as plugged properly into the control box. This includes the power cord, two motor cable jacks and the keypad cable jack.
4. Re-plug the power cord into the wall outlet.
5. Press and hold the down button. The bench should move downward. Continue until both bench legs are in the fully down position and the bench stops. There should be about 1/8" gap between the top surface of the standard foot and the bottom of the outer leg column.
6. After step 5 is complete again press & hold the down button. The bench should move down the last 1/8" and a clicking noise should be audible*. If this happens the bench is now reset and should function properly.
Note: If the bench does not bottom-out try raising the bench at least 3" and repeat steps 5 and 6. If the bench will not rise up repeat step 6.
7. If steps 5 or 6 can not be accomplished try the following:
Unplug the power cord from the wall outlet, as well as the control box. Then switch positions of the two motor cable jacks on the control box, be sure to only use jacks labeled 1 and 2. Firmly re-plug the power cord into the control box, then re-plug the power cord into the wall outlet and repeat steps 5 and 6.

* clicking during steps 5 or 7 should be audible in quieter environments, however, in noisier environments clicking may not be audible.

If the bench will not function after following the preceding steps call technical support 1-800-722-3020

Align® is a trademark of Lista International Corp.
Making Workspace Work® is a trademark of Lista International Corp.

Creation Date Document Number
8-18-2010 SP001A3 Rev. 01

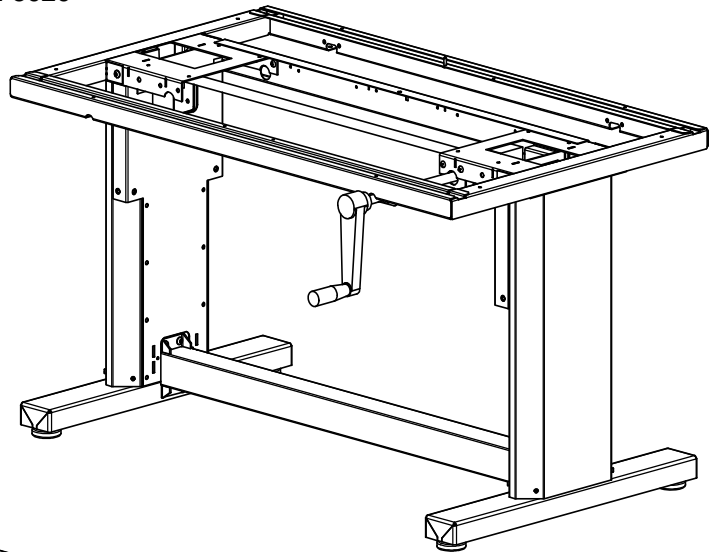
This document is proprietary information of Lista International Corporation. Unauthorized reproduction of any portion of this document is prohibited without written consent of Lista International Corporation. The material in this document is for informational purposes only. It is subject to change without notice.

© 2010 Lista International Corporation
106 Lowland Street
Holliston, MA 01746-2094
E-mail: sales@listaintl.com

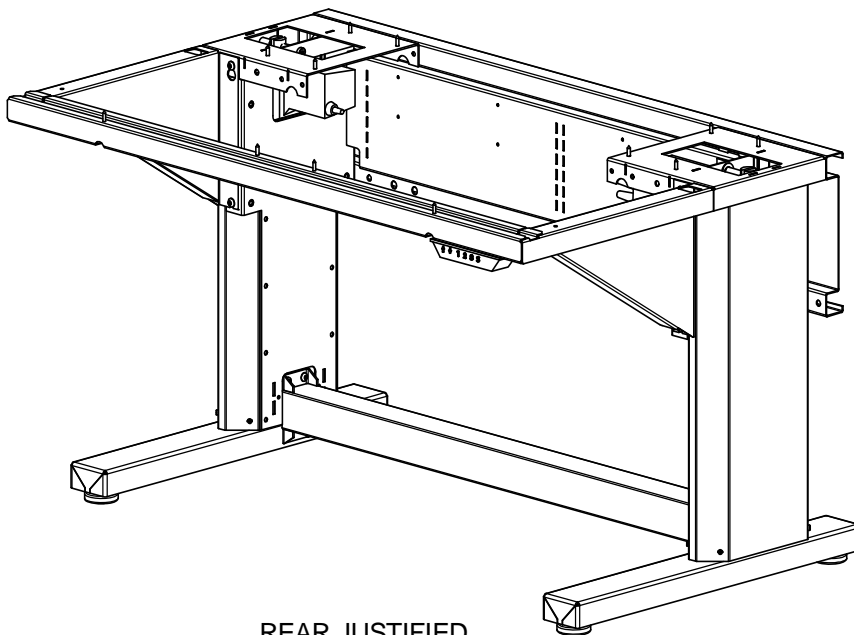
All rights reserved

For questions or technical support call **1-800-722-3020**

CENTER JUSTIFIED



REAR JUSTIFIED



 **LISTA**
making workspace work®