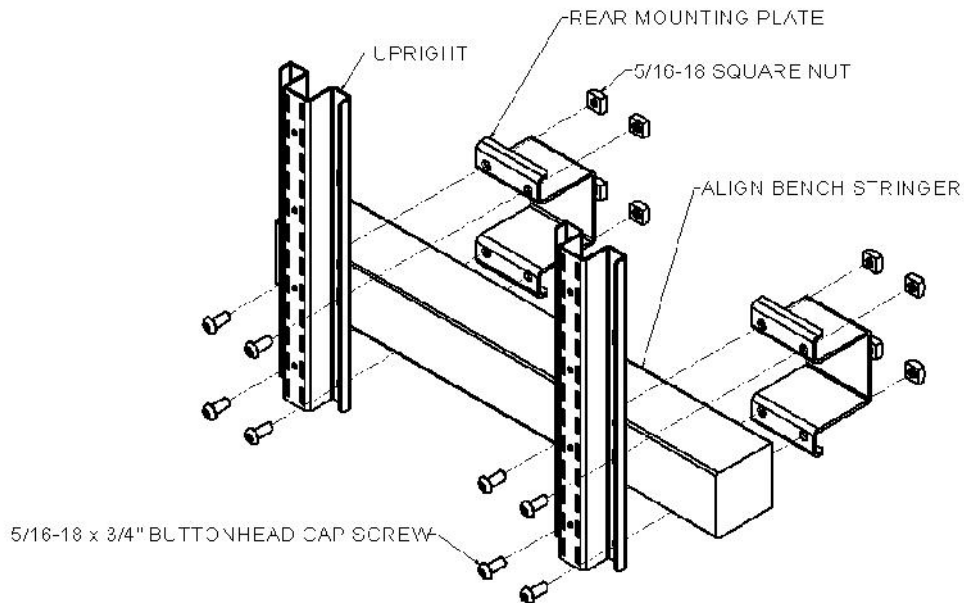


# Align Fixed Footrest Assembly Instructions



1. Install Rear Mounting Plate to Align Bench Stringer (with mounting holes towards front of bench) oriented as shown.
2. Position Upright so slots in Upright are aligned with mounting holes in Rear Mounting Plate.
3. Insert 5/16-18 x 3/4" Button Head Cap Screws through mounting holes in Rear Mounting Plate and Upright as shown.
4. Position 5/16-18 Square Nut on end of 5/16-18 x 3/4" Button Head Cap Screw and thread Screw into nut.
5. Repeat for remaining Screws and Nuts, leave Nuts loose enough so the Upright Assembly will slide back and forth along the Align Stringer
6. Repeat for second Upright/Rear Mounting Plate Assembly.
7. Locate Upright Assemblies in position to Assemble with Shelf Main Assembly and insert Shelf Main Assembly into Uprights, as described on page 10 in the Nexus Assembly Instructions, at desired height.
8. Slide the whole Assembly into the desired location (left to right) and tighten all hardware.

Making Workspace Work™ is a trademark of Lista International Corporation.

Document Number: MD0076A3 Rev. 1

Print Date: August 2011

This manual is proprietary information of Lista International Corporation. Unauthorized reproduction of any portion of this manual is prohibited without the written consent of Lista International Corporation. The material in this manual is for informational purposes only. It is subject to change without notice.

© 2007 by Lista International Corporation  
106 Lowland Street  
Holliston, Ma. 01746-2094  
All rights reserved

