

# Rear Mount Installation – Extended Post

## For Extending Nexus Frames on Align Benches

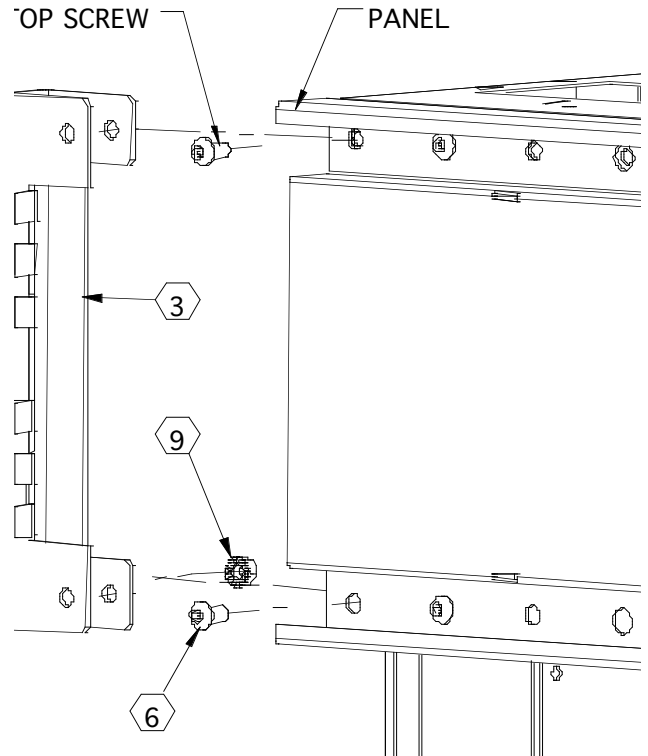
### Tools Required:

- 3/16" Hex Key
- 1/2" Wrench

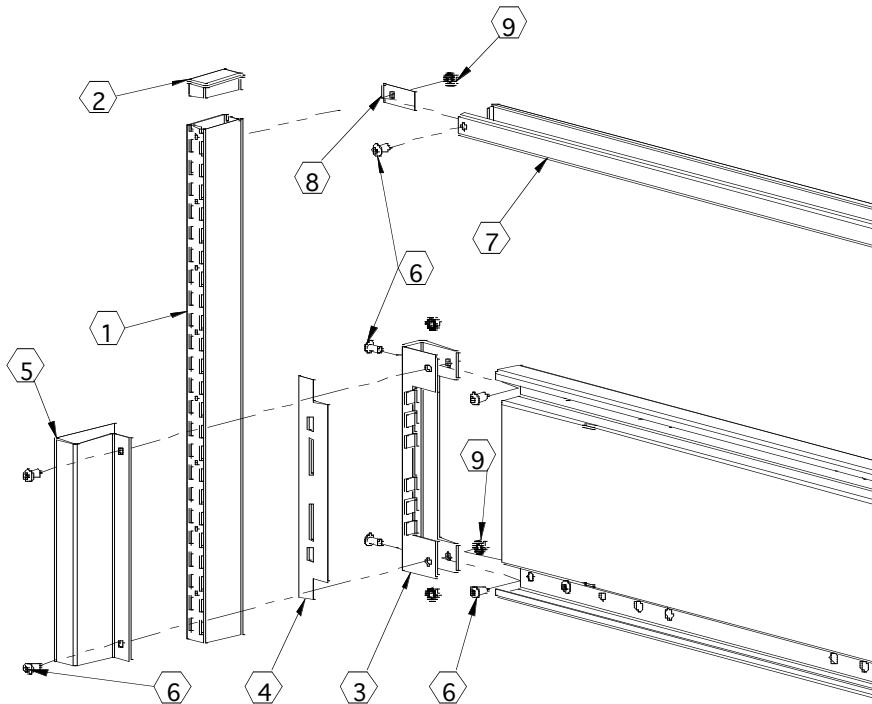
Item	Description	Qty.
1	Post	2
2	Black Plug 30 mm x 60 mm	2
3	Post Connector – Extended Post	2
4	Spacer –Extended Post	2
5	Clamp- Extended Post	2
6	Button Head Cap Screw 5/16-18 x 5/8"	12
7	Cross-member	1
8	Retainer Clip	2
9	Hex Nut 5/16-18	4

### Step:

1. Insert the black plug (item 2) into the top of the Post
2. Remove the Top Screw from the Panel
3. Slide Post Connector (item 3) into the Panel
4. Fasten the Connector in place by replacing the Top Screw. Use a BHC Screw and Nut (items 6 & 9) to fasten the bottom.
5. Place the Spacer (item 4) in place on the tabs of the Connector
6. Install the Post on the Connector at the desired height. The Connector tabs go into the outer slots on the Post.
7. Slide the Clamp (item 5) over posts.
8. Bolt the Clamp to the Connector using (4) BHC Screws (item 6) and (2) Nuts (item 9).
9. Repeat the above steps to mount the opposite Post.
10. Insert the tabs of Cross-member (item 7) into the top inner slots of the Posts.
11. Insert the Retainer Clips (item 7) into ends of Cross-member and into inner slots on Post.
12. Bolt Retainer Clips (item 8) to the Cross-member using BHC Screws and Nuts (items 6 & 9).



**CAUTION:** Make sure frame system is properly installed to Align work bench before adding accessories or weight.



Align® is a trademark of Lista International Corp.  
Making Workspace Work® is a trademark of Lista International Corp.

Creation Date	Document Number
6-29-2007	MD034A3-1 Rev. 0

This document is proprietary information of Lista International Corporation. Unauthorized reproduction of any portion of this document is prohibited without written consent of Lista International Corporation. The material in this document is for informational purposes only. It is subject to change without notice.

© 2007 Lista International Corporation  
106 Lowland Street  
Holliston, MA 01746-2094  
E-mail: [sales@listaintl.com](mailto:sales@listaintl.com)

All rights reserved

For questions or technical support call **1-800-722-3020**

