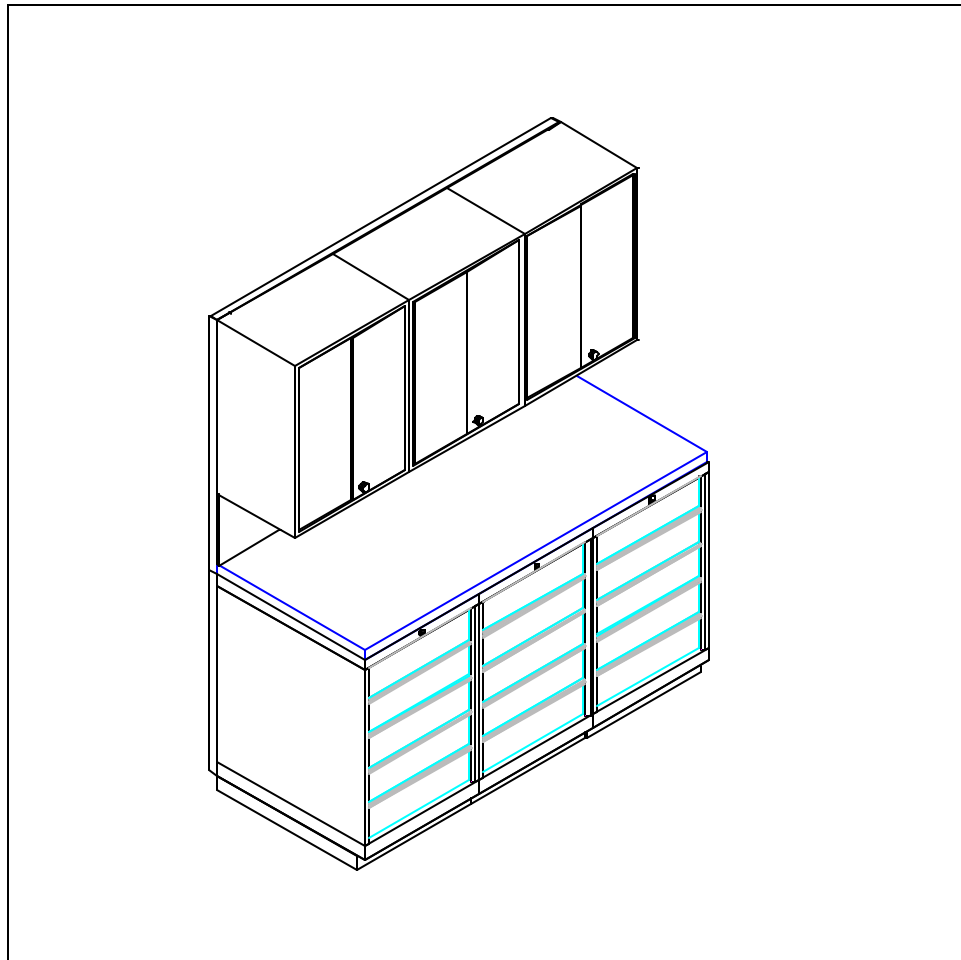


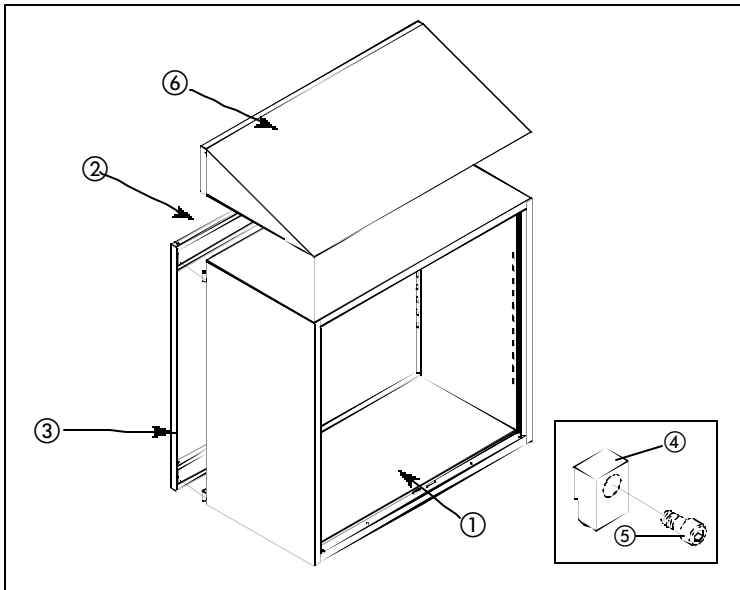
Installation Instructions for Wall & Frame Mounted Overhead Cabinets



CAUTION

MAKE SURE THE WALL MEETS THE LOAD CAPACITY REQUIREMENTS FOR THE OVERHEAD CABINET BEING INSTALLED. REFER TO LOCAL BUILDING CODES FOR PROPER MOUNTING REQUIREMENTS.

Installation Instructions for Wall Mounted Overhead Cabinets



CAUTION

MAKE SURE THE WALL MEETS THE LOAD CAPACITY REQUIREMENTS FOR THE OVERHEAD CABINET BEING INSTALLED. REFER TO LOCAL BUILDING CODES FOR PROPER MOUNTING REQUIREMENTS.

SAFETY PRECAUTIONS

READ THESE INSTRUCTIONS BEFORE INSTALLATION.

THIS INSTALLATION WILL REQUIRE AT LEAST 2 PEOPLE.

THE WALL MOUNTING BRACKETS MUST BE BOLTED SOLIDLY TO THE WALL.

THE MOUNTING BRACKETS MUST BE LEVEL AND SPACED APPROPRIATELY BEFORE THE CABINETS ARE INSTALLED.

ITEMS SHOULD NOT BE PLACED ON THE TOP OF THE CABINETS.

THE LOAD CAPACITY IS 40 LBS. PER LINEAR FOOT PER SHELF (150 LBS MAX. FOR THE 56½" WIDE ADJUSTABLE SHELVES).

USE CAUTION WHEN HANDLING SHEET METAL PARTS, THE EDGES MAY BE SHARP.

YOU MUST INSTALL SAFETY SCREWS TO PREVENT THE OVERHEAD CABINET FROM LIFTING OR SLIDING OFF THE MOUNTING RAILS.

TOOLS NEEDED FOR INSTALLATION

- Drill
- Ratchet Wrench for mounting hardware
- 3/16" Allen Wrench
- Level
- Square

REQUIRED COMPONENTS

- Hardware to mount brackets to the wall (Not Provided by Lista)

- ① Overhead Cabinet
- ② Wall Mounting Brackets (2)
- ③ Filler Channels (2)
- ④ Mounting Blocks (4 per cabinet)
- ⑤ ¼-20 Socket Head Screws (4 per cabinet)
- ⑥ Canopy Top & Filler Panel (optional)
- ⑦ Adjustable Shelf (for 29" high units only)
- ⑧ #10-24 x ½ Security Screws (2 per cabinet)

MOUNTING A SINGLE CABINET TO WALL

- 1 Determine the vertical position at which the bottom of the Overhead Cabinet is to be located.
- 2 The Bolts that attach the lower Mounting Bracket to the wall will be placed 50mm [2"] above the height determined in step 1. Scribe a horizontal line at this height.
- 3 If pilot holes are required, use the Mounting Bracket as a template and mark the locations on the line for the Bolts. Drill the required holes.
- 4 Level and secure the lower mounting bracket to the wall.
Note: *The two brackets provided are the same.*
- 5 Clip the filler channels into the ends of the lower mounting brackets. (figure 2 & 2A)
- 6 Clip the upper mounting bracket to the filler channels, LEVEL AND SQUARE the upper mounting bracket. (fig 3 & 3a)
- 7 If pilot holes are required, use the upper mounting bracket as a template. Mark the locations on the wall where the bolts are to be inserted.
- 8 Drill the required holes
- 9 Re-Level, re-square and secure the upper mounting bracket to the wall. (figure 3 & 3A)
- 10 Attach the four mounting blocks to the cabinet, using the ¼-20 socket bolts provided (figure 4 & 4A).
- 11 Lift the cabinet and clip the mounting blocks onto the mounting brackets. (figure 5, 5A, 5B)
- 12 Verify that the cabinet is clipped onto the brackets.
- 13 Center the cabinet on the mounting brackets.
- 14 To prevent the OHC from lifting or sliding off brackets, insert two #10-24 x ½" screws (figure 5)

Figure 1

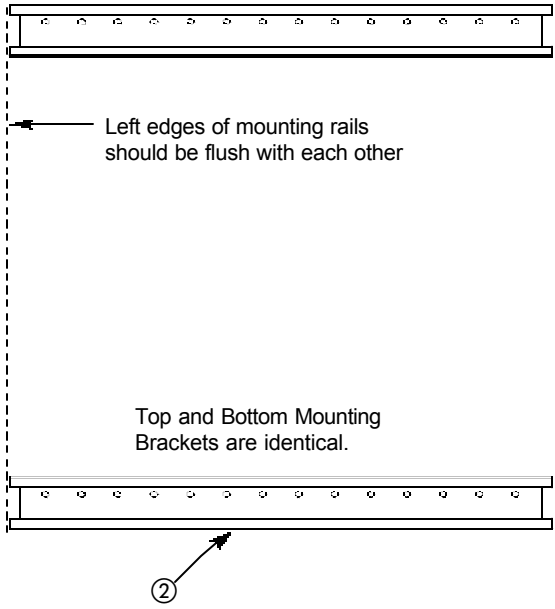


Figure 2

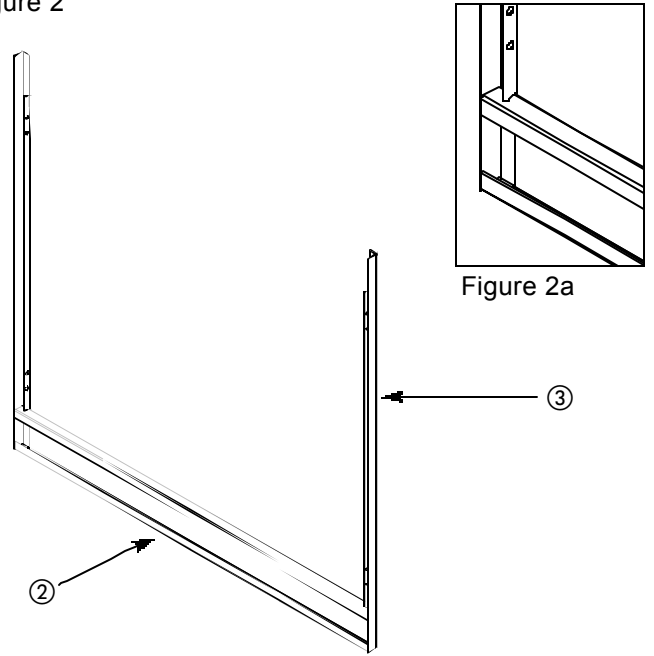


Figure 3

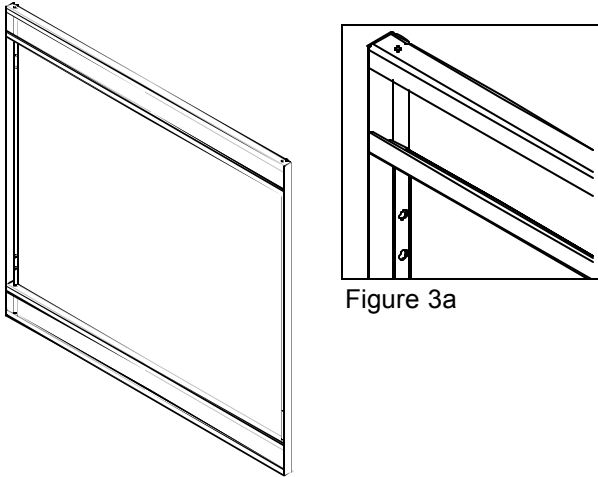


Figure 4

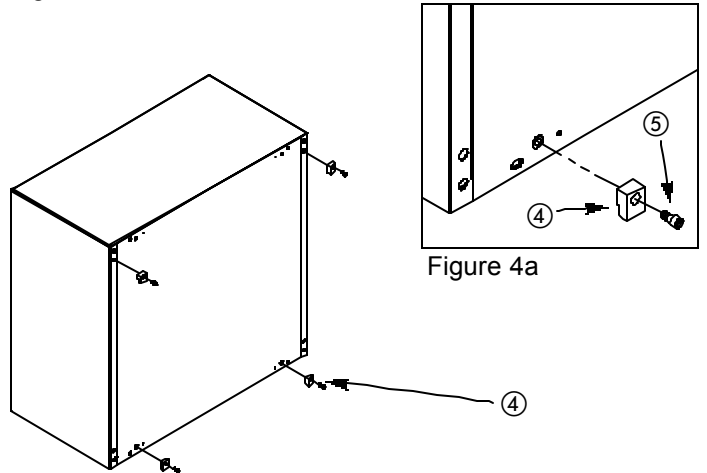


Figure 5

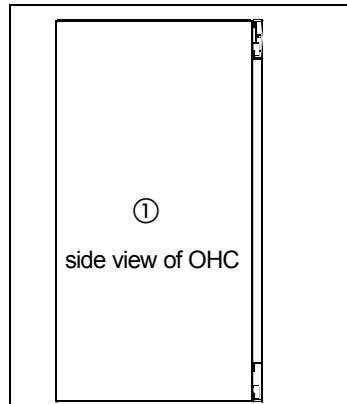
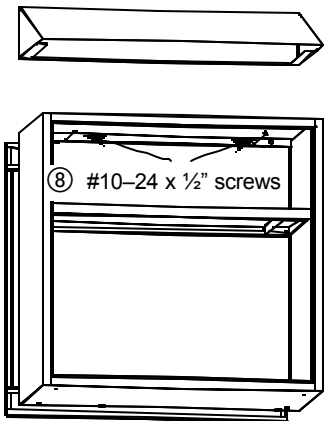


Figure 5a

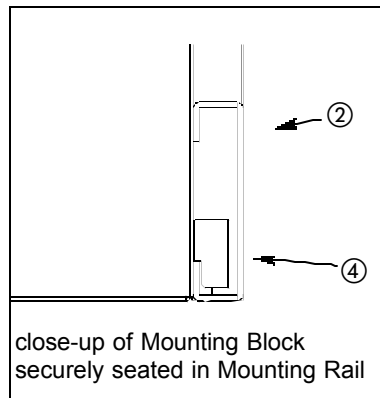
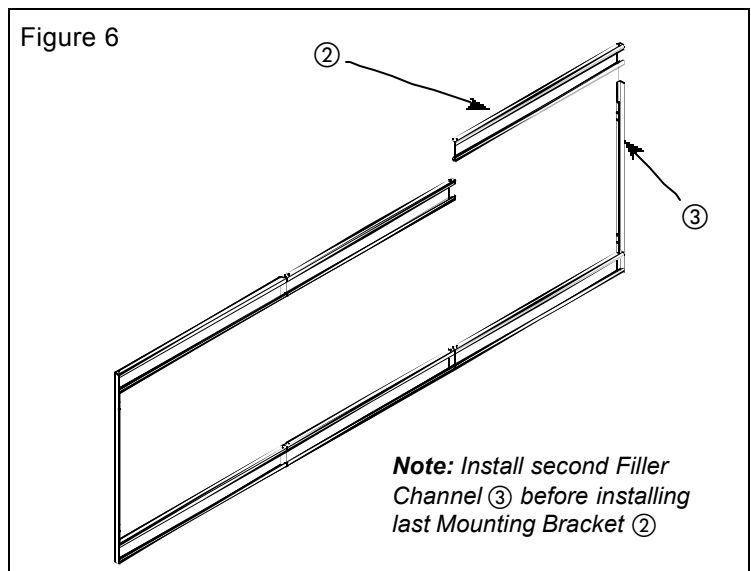


Figure 5b

MOUNTING MULTIPLE CABINETS

- 1 Follow steps 1 through 8 on Page 2
- 2 Reinstall the Filler Channel that falls at the end of the line of Cabinets. (See Figure 6)
- 3 Clip the Upper Mounting Bracket into the Filler Channel (See Figure 6)
- 4 Level, square and secure the upper mounting bracket to the wall.
- 5 Install the remaining lower and upper mounting brackets as shown in fig 6. The line of brackets must be level.
- 6 Before the last mounting bracket is installed, attach the second filler channel as shown if fig 6
- 7 Level, square and secure the final mounting bracket to the wall.
- 8 Follow steps 10 thru 14 on page 2 to install the cabinets.



FLUSH WALL MOUNTING without MOUNTING BRACKETS

TOOLS NEEDED FOR INSTALLATION

- Drill
- Level
- Tape Measure
- Ratchet Wrench

COMPONENTS NEEDED FOR INSTALLATION

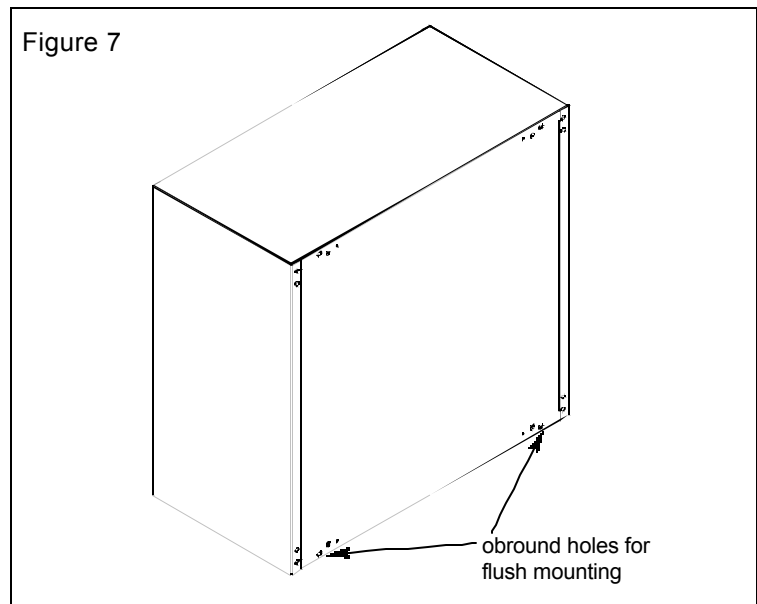
- Hardware to mount cabinet to wall (Not Provided by Lista)

INSTALLATION INSTRUCTIONS

- 1 Open the Cabinet
- 2 Remove the Adjustable Shelf (Ref. Adjustable Shelf Removal Instructions)
- 3 Remove the bottom shelf
- 4 Bolt the cabinet to the wall through the four obround holes provided. The obround holes are $\text{Ø}7.2 \times 10.0 \text{ mm}$. (Figure 7)

Note: Make sure the cabinet is level before it is bolted to the wall.

- 5 Reinsert the bottom shelf
- 6 Reinsert the adjustable shelf (Ref. Adjustable Shelf Reinstallation Instructions)



Installation and Use Instructions for Frame Mounted Overhead Cabinets

TOOLS NEEDED FOR INSTALLATION

- Drill & Drill Bits
- Ratchet Wrench for mounting hardware
- $\frac{3}{16}$ " Allen Wrench
- Philips Head Screwdriver
- Level

COMPONENTS NEEDED FOR INSTALLATION

- ① Upper Support Posts (2)
- ② Base Posts (2)
- ③ Upper Mounting Rail (1)
- ④ Lower Mounting Rail (1)
- ⑤ Mounting Blocks (4 per cabinet)
- ⑥ Rear Panel (1) (if ordered)
- ⑦ $\frac{5}{16}$ "-18 x $3\frac{1}{2}$ " Bolts, nuts and washers (4 sets)
- ⑧ $\frac{1}{4}$ -20 x $\frac{5}{8}$ " hex head bolts and $\frac{1}{4}$ " lock washers (4 sets)
- ⑨ $\frac{1}{4}$ -20 x $\frac{1}{2}$ " Socket Cap Screws (4 per post)
- ⑩ $\frac{1}{4}$ -20 x $\frac{3}{4}$ " Socket Cap Screws and lock washers (4 per cabinet)
- ⑪ #10-24 x $\frac{1}{2}$ " Sheet Metal Screws (2 per cabinet)

SAFETY PRECAUTIONS

READ INSTALLATION INSTRUCTIONS BEFORE STARTING INSTALLATION

USE CAUTION WHEN HANDLING SHEET METAL PARTS, THE EDGES MAY BE SHARP

THIS INSTALLATION WILL REQUIRE AT LEAST 2 PEOPLE

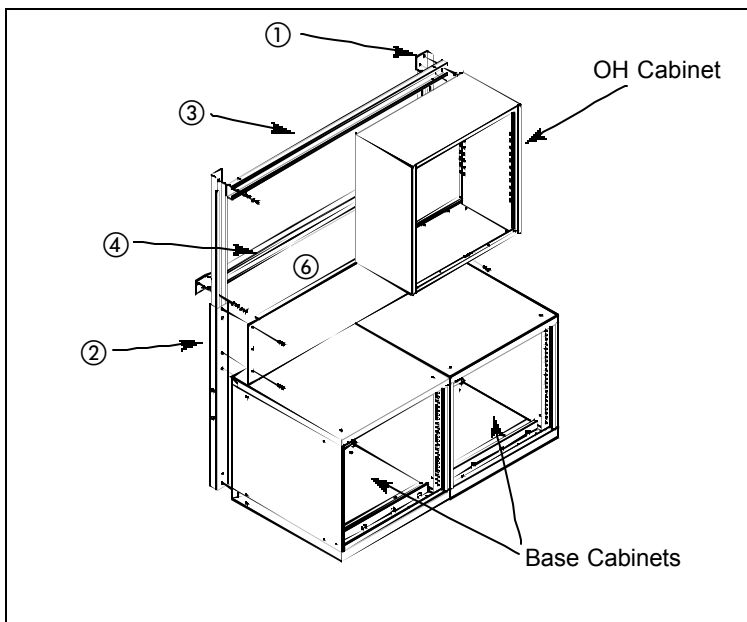
DO NOT OVERLOAD FRAME BEYOND RATED LOAD CAPACITY.

- 40 LBS/LINEAR FT PER SHELF

- 150 LBS MAX FOR THE 78U ADJUSTABLE SHELF

DO NOT PLACE OBJECTS ON TOP OF THE CABINETS

YOU MUST INSTALL SAFETY SCREWS TO PREVENT OHC FROM LIFTING OR SLIDING OFF MOUNTING RAILS



MOUNTING FRAME ASSEMBLY TO A SINGLE BASE CABINET (See Figure 8)

- 1 Drill four (4) $\frac{3}{8}$ " diameter holes into the rear of the cabinet as shown in Figure 8.
- 2 Follow Steps 5 through 12 below.

MOUNTING FRAME ASSEMBLY ACROSS MULTIPLE BASE CABINETS

- 1 Locate the base cabinets that go on the extreme ends of the workcenter. Remove the drawers from those cabinets
- 2 Drill four $\frac{3}{8}$ " diameter holes in the rear of the cabinets as shown in Figure 8.
- 3 Place the cabinet, with holes drilled along the right rear edge, on the extreme right of the workcenter.
- 4 Place the cabinet, with holes drilled along the left rear edge, on the extreme left of the workcenter.

Note: *If using a Steel Cover over the Base Cabinets, refer to the Steel Cover/Base Post Instructions on Page 7 before installing Base Posts.*

- 5 Locate the Base Posts ② and Upper Support Posts ① (Figure 9).
- 6 Slide the Upper Support Posts ① into the base posts ②.
- 7 Bolt the sub assemblies together using the $\frac{5}{16}$ "-18 x $3\frac{1}{2}$ " long Bolts, $\frac{5}{16}$ " Nuts and $\frac{5}{16}$ " Flat Washers ⑦.

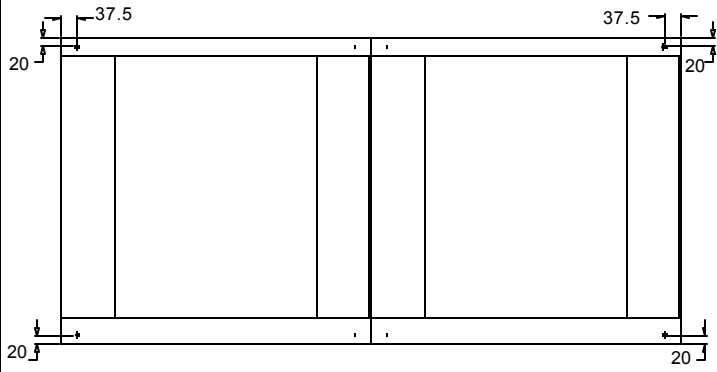
Note: *The sub assemblies created are left and right specific as identified in Figure 9.*

- 8 Using the $\frac{1}{4}$ -20 x $\frac{5}{8}$ " Hex Head Bolts and $\frac{1}{4}$ " Lock Washers ⑧, bolt the left and right sub-assemblies to the Base Cabinets. Verify Posts are vertical. (Figure 10)
- 9 Attach the Upper Mounting Rails ③ and Lower Mounting Rails ④ to the Upper Support Posts ① using the $\frac{1}{4}$ -20 x $\frac{1}{2}$ " Socket Head Screws and $\frac{1}{4}$ " Lock Washers ⑨. (See Figure 10)
- 10 Attach the Mounting Blocks ⑤ to the rear of the Overhead Cabinet(s) as shown in Figure 11. Use the $\frac{1}{4}$ -20 x $\frac{3}{4}$ " socket head screws ⑩.

- 11 Mount the Cabinet(s) to the frame assembly by clipping the Mounting Blocks onto the Frame Rails (See Figure 5 on page 3).

Figure 8

Drilling Locations



Note: Dimensions are in millimeters

Rear View of Base Cabinets

Figure 9

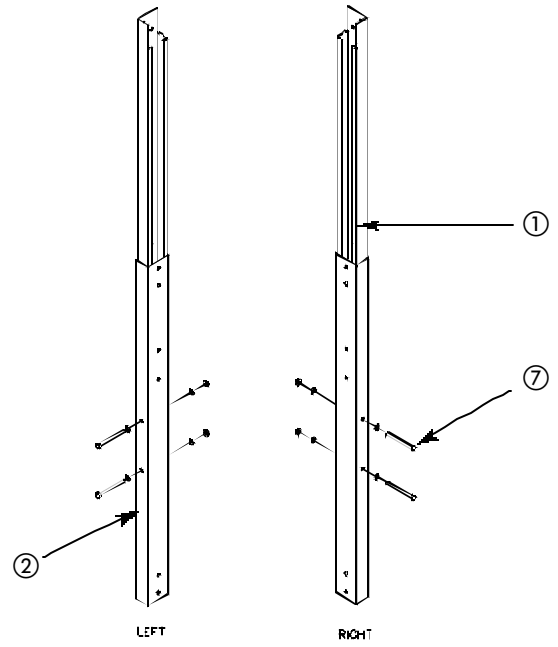


Figure 10

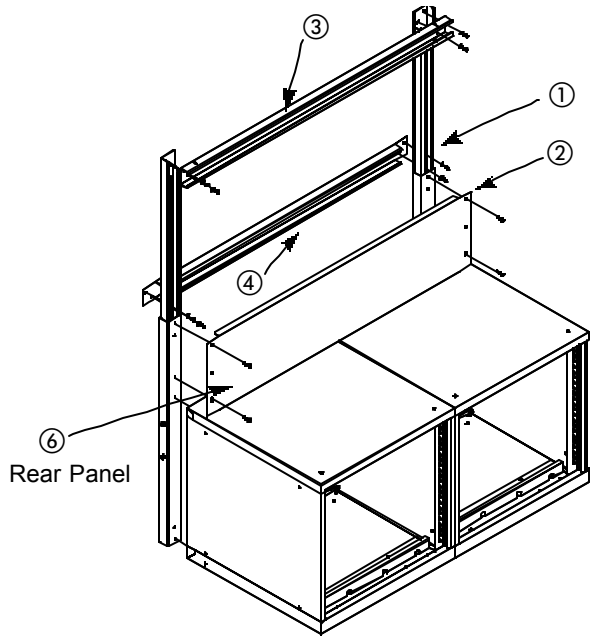
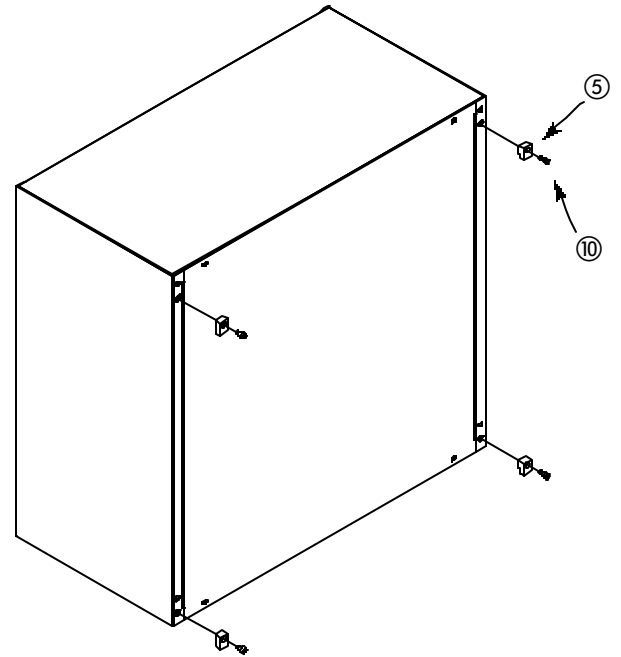


Figure 11



STEEL COVER/BASE POST INSTALLATION

- 1 Drill two (2) ½" holes in the top rear corners of the steel cover as shown in Fig. 13.
- 2 Place the cover over the cabinet(s).
- 3 Follow Steps 5 through 12 on Page 5.

INSTALLING THE REAR PANEL (if provided) (See Figure 12 and 12a)

If a Workcenter Top is used as the work surface:

- 1 Remove the backing from the double sided tape located on the bottom lip of the Rear Panel.
- 2 Attach the Rear Panel as shown in Figure 12.
- 3 Install the top.
- 4 Press the lower back of the Rear Panel firmly against the back of the Top so that the tape adheres properly.

If ONLY a steel cover is used as the work surface:

Note: Perform these operations **AFTER** the steel cover has been installed.

- 1 Remove the backing from the double sided tape located on the bottom lip of the Rear Panel.
- 2 Loosely attach the rear panel as shown in Fig 12a
- 3 Press firmly on the lower bend of the rear panel so that the tape adheres to the steel surface
- 4 Tighten the rear panel screws.

Note: Add a 2.0mm thick washer between the Base Post and Base Cabinet to obtain the proper offset at the bottom of the Base Post. Refer to Figure 14.

TO REMOVE ADJUSTABLE SHELF (See Figure 15)

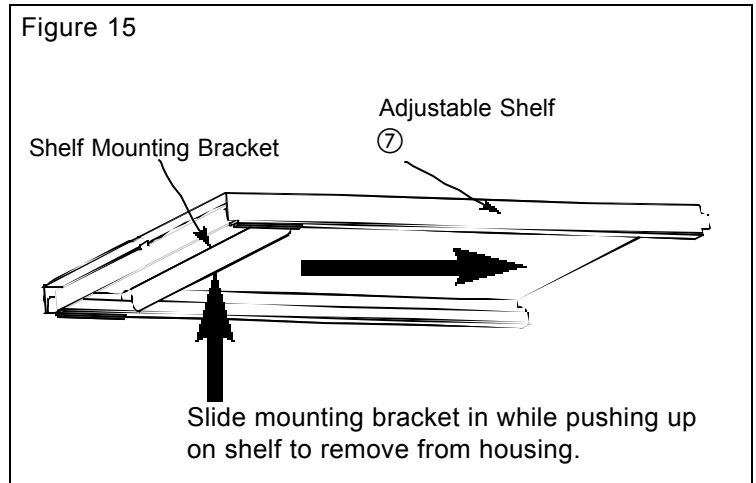
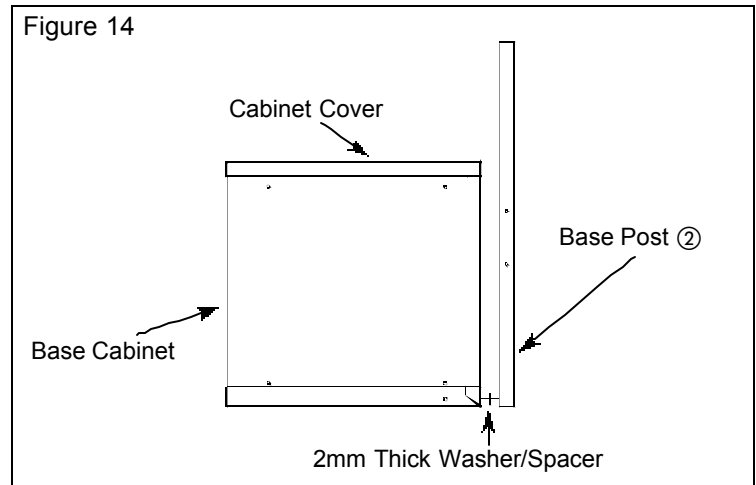
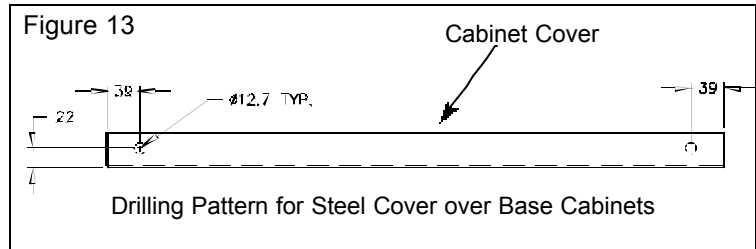
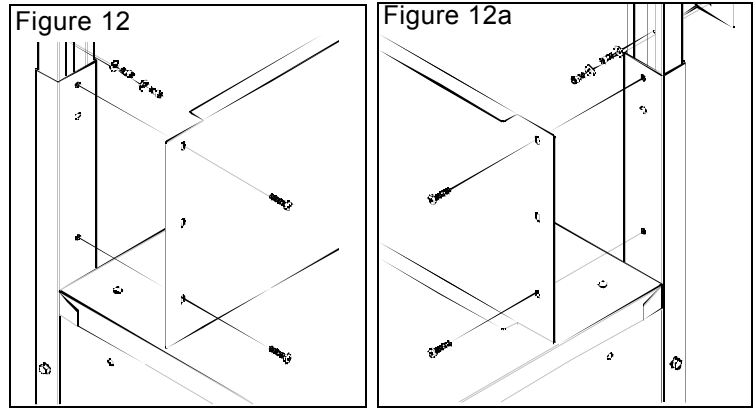
- 1 Look under the right side of the shelf to locate the Shelf-Mounting Bracket.
- 2 Slide the Mounting Bracket away from the Cabinet Housing while pushing up on the Shelf.
- 3 Remove the Shelf.

TO RE-INSTALL ADJUSTABLE SHELF

- 1 Choose the desired height you want the Shelf to rest and insert the left Shelf Tabs into the rectangular slots at the desired height.

Note: The shelf mounting bracket has to be under the shelf completely before the shelf assembly can be installed into the housing. (See Figure 15)

- 2 Slide the Support Bracket to the right until it locks into the right side slots.



CANOPY TOP INSTALLATION (See Figures 16 & 17)

REQUIRED TOOL: Phillips Head Screwdriver

- 1 Using the #10–24 thread forming screws provided, attach the filler panel to the canopy.

Note: *This step is not required if the cabinet is screwed directly to the wall.*

- 2 Remove the backing from the double sided tape already attached to the bottom of the canopy.
- 3 Attach the canopy to the top of the cabinet.

Note: *Conversion from metric dimensions to inches are approximate.*

Figure 16

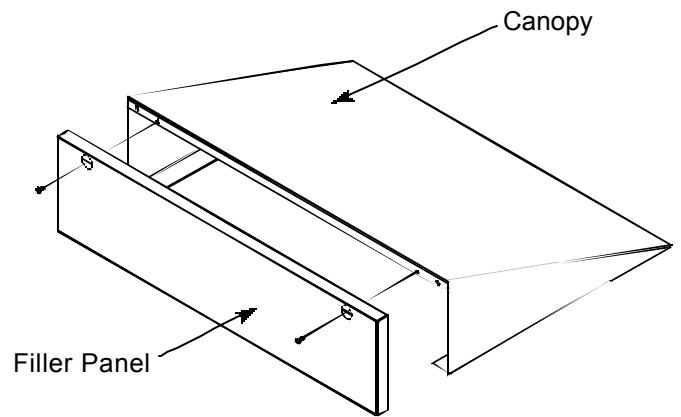
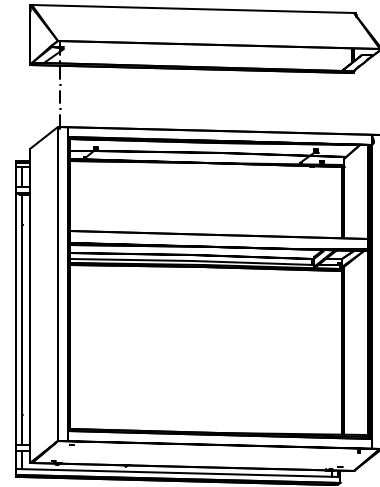


Figure 17



Listo International Corporation

106 Lowland Street

Holliston, MA 01746

Technical Support: (800) 722-3020, ext. 233 or 235.

E-mail: sales@listaintl.com

Document Number: MD021A3, Rev 2, 09/2000

© 2000 Listo International, all rights reserved

ISO 9001 Certified

